

# Complete Tank Solutions



## Features and Benefits

- Complete hydraulic reservoir solution with accessories like gauges, in-tank filters, and air breathers already installed
- Patented insertion ring for filter head flange mounting prevents leakage
- Patented integrated baffle wall creates settling zone for returning oil (degassing) with simultaneous cooling effect
- Tank is optimized for air and heat removal
- Tested for leakage (no end-user testing is required)
- Tank is certified clean, eliminating time-consuming flushing processes and testing
- Lightweight and cost efficient
- No risk of corrosion
- Available in five (5) performance optimized sizes (4, 7, 12, 18, & 25 gal.)
- Return-line filter options available with GeoSeal® aftermarket retaining elements

TNK4 - 4 Gallons  
 TNK7 - 7 Gallons  
 TNK12 - 12 Gallons  
 TNK18 - 18 Gallons  
 TNK25 - 25 Gallons

**100 psi**  
*(7 bar)*  
**Return Line Filter**

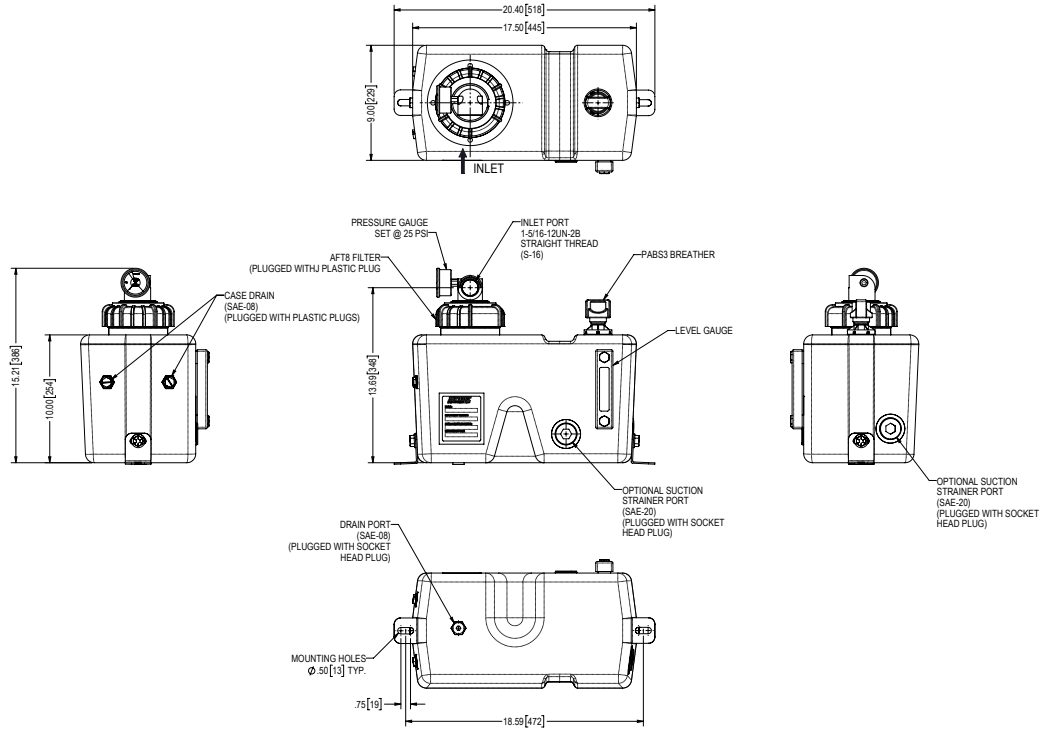
## Specifications

|                                      |  |  |
|--------------------------------------|--|--|
| <b>Tank Materials:</b>               | High Density Polyethylene (HDPE)   |  |
| <b>Tank Volumes:</b>                 | 4 gal (15L), 7 gal (26L), 12 gal (45L), 18 gal (70L) or 25 gal (100L)  |  |
| <b>Operating Temperature:</b>        | High Density Polyethylene (HDPE) - 20°F to 180°F (-29°C to 82°C)<br>Nylon (PA) - 32°F to 240°F (0°C to 116°C)  |  |
| <b>Return Line Filter:</b>           | TNK4: AFT<br>TNK7: MTB<br>TNK12: ZT & GZT  | TNK18: ZT & GZT<br>TNK25: RT & GRT                     |
| <b>Max. Return Flow:</b>             | TNK4: 25 gpm<br>TNK7: 35 gpm (135 L/min)<br>TNK12: 40 gpm (150 L/min)  | TNK18: 40 gpm (150 L/min)<br>TNK25: 75 gpm (284 L/min) |
| <b>Breather:</b>                     | 3 μ phenolic resin impregnated paper element   |  |
| <b>Suction Strainer:</b>             | 100 μ wire mesh<br>SAE20: 20 gpm<br>SAE24: 30 gpm  |  |
| <b>Weight of TNK:</b>                | TNK4 (AFT4): 11.5 lbs<br>TNK4 (AFT8): 11.5 lbs<br>TNK7: 16 lbs (7.3 kg)<br>TNK12: 21 lbs (9.7 kg)  | TNK18: 33 lbs (15 kg)<br>TNK25: 45 lbs (20 kg)         |
| <b>Element Change Clearance:</b>     | TNK4 (AFT4): 5.3" (134mm)<br>TNK4 (AFT8): 8.6" (219 mm)<br>TNK7: 5" (127mm)<br>TNK12: 10" (254mm)  | TNK18: 10" (254mm)<br>TNK25: 9.5" (241mm)              |
| <b>Ultra Violet Light Rating*:</b>   | HDPE = UV-12<br>Nylon = UV-10  |  |
| <b>Filter and Element Selection:</b> | For proper filter and element selection, information and pressure drop calculations, please refer to the individual filters (MTB, ZT, GZT, RT & GRTB) sections in the Schroeder Hydraulic and Lube Catalog (L-2520). |  |

\*UV Rating is determined by the number of years a material can be exposed to direct sunlight and retain a minimum of 50% of its original mechanical properties (ex. High Density Polyethylene with a UV-12 rating would be recommended to be replaced every 12 years if not painted or coated).

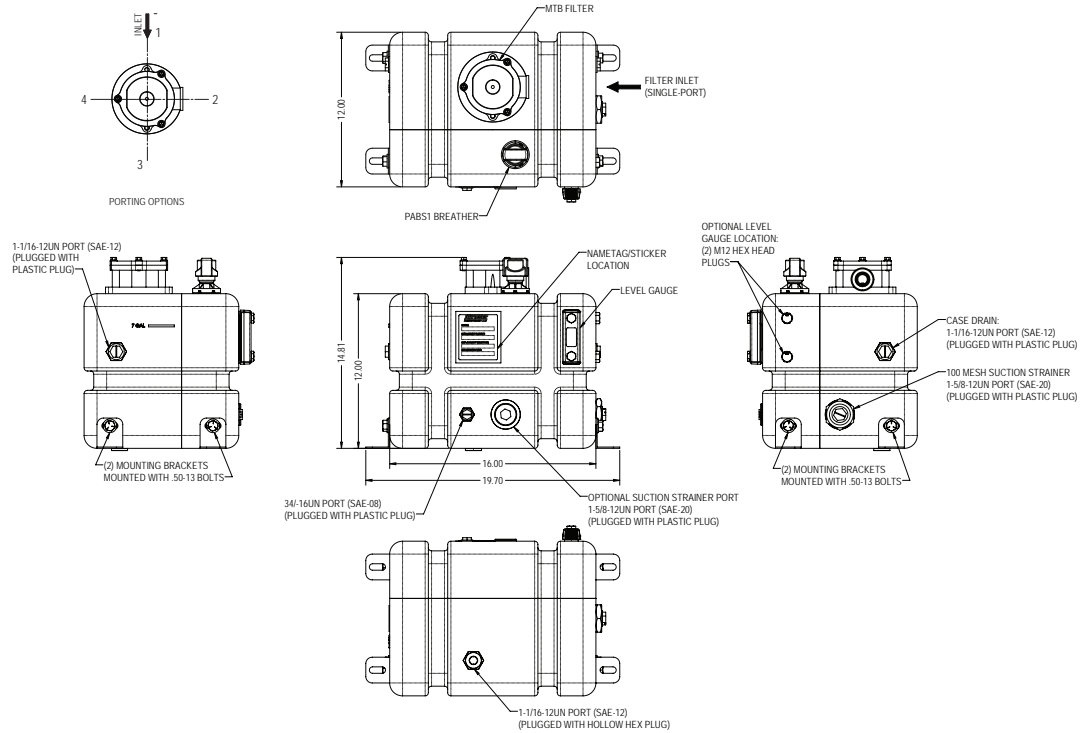
# Complete Tank Solutions

## TNK4



Metric dimensions in [ ].

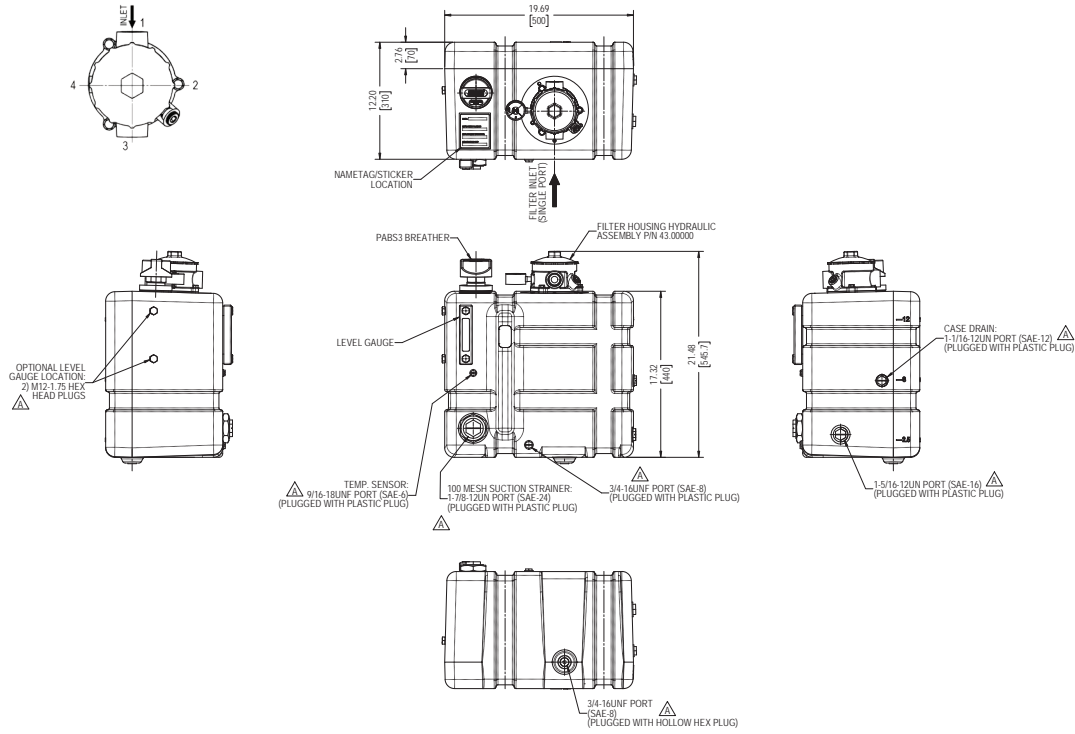
## TNK7



Metric dimensions in [ ].

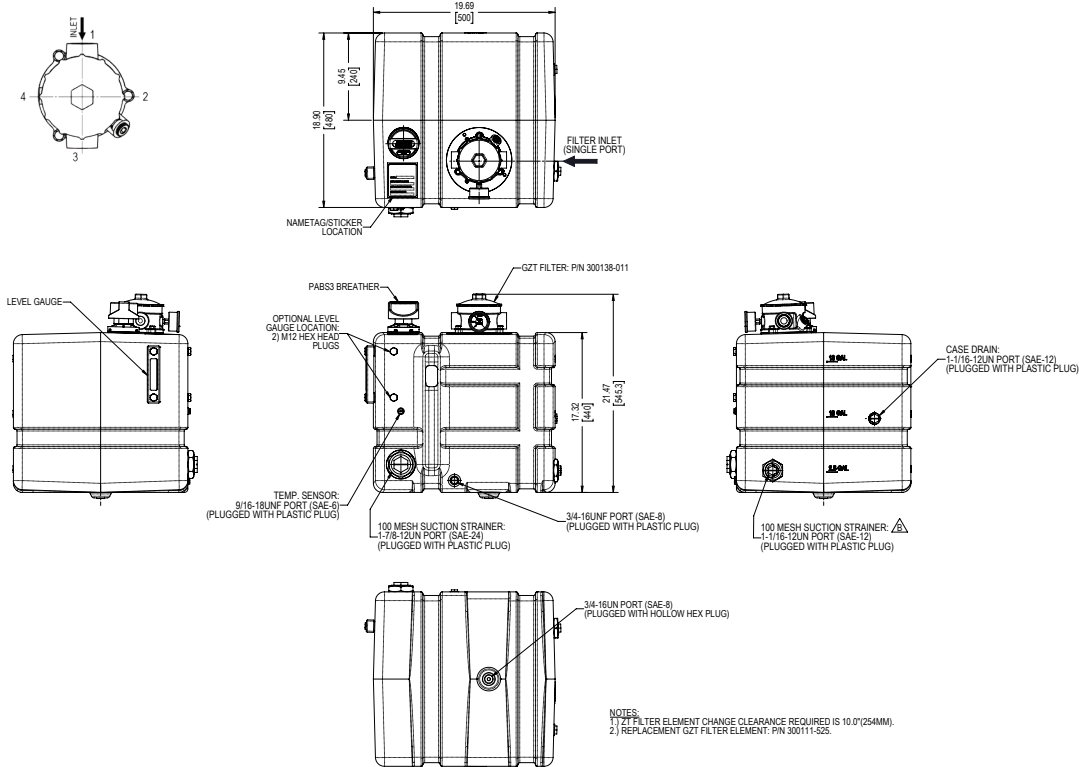
# Complete Tank Solutions

TNK12



Metric dimensions in [ ].

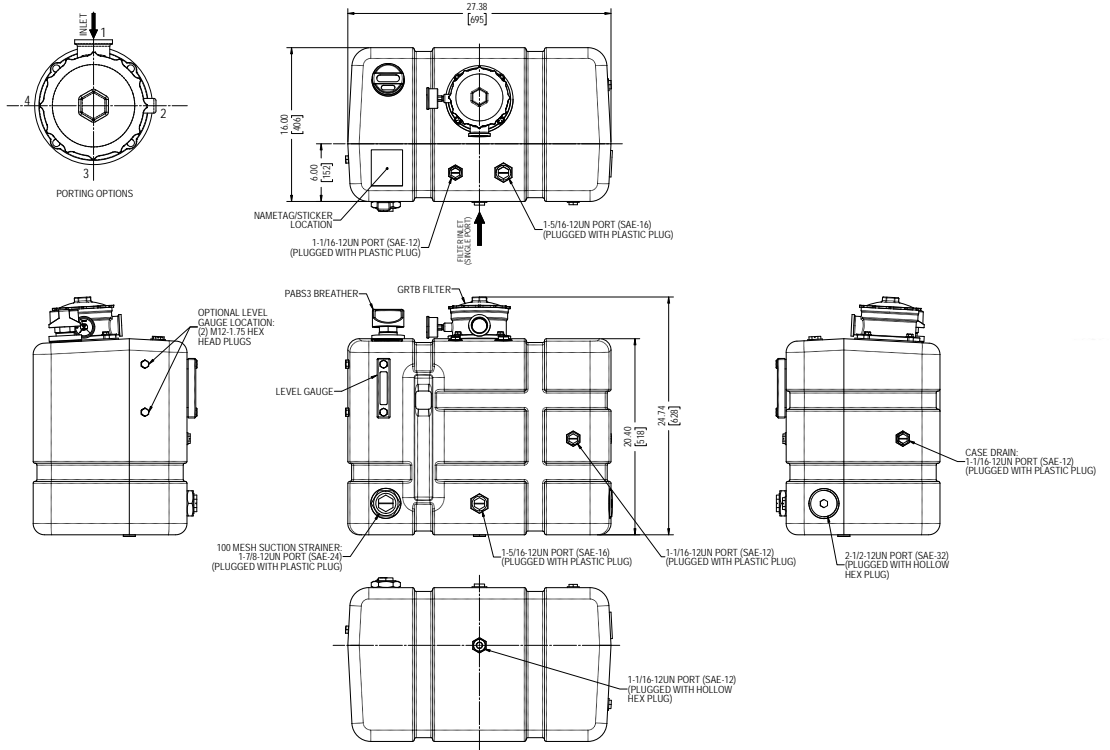
TNK18



Metric dimensions in [ ].

# Complete Tank Solutions

TNK25



Metric dimensions in [ ].

## Usable Fluid Levels

|       | Middle Level of Gauge (gal) | Top Level of Gauge (gal) |
|-------|-----------------------------|--------------------------|
| TNK4  | 2.6                         | 3.7                      |
| TNK7  | 5.4                         | 6.0                      |
| TNK12 | 10.1                        | 11.5                     |
| TNK18 | 14.8                        | 16.6                     |
| TNK25 | 23.4                        | 26.0                     |

## Torque Specifications

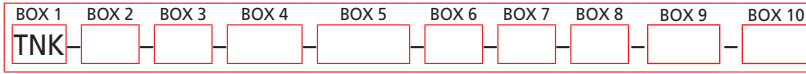
|   |   |  |
|---|---|--|
| SAE-06 PORT: 8ft.-lbs.<br>SAE-08 PORT: 10ft.-lbs.<br>SAE-10 PORT: 20ft.-lbs.<br>SAE-12 PORT: 25ft.-lbs.<br>SAE-16 PORT: 25ft.-lbs.<br>SAE-20 PORT: 28ft.-lbs.<br>SAE-24 PORT: 30ft.-lbs.<br>SAE-32 PORT: 30ft.-lbs. | M12 PORT: 8ft.-lbs.<br>M14 PORT: 10ft.-lbs. | 1/4-20 PORT: 2ft.-lbs.<br>3/8-16 PORT: 6ft.-lbs.<br>1/2-13 PORT: 8ft.-lbs. |
|---|---|--|

\* NOT RECOMMENDED TO EXCEED 30ft.-lbs. TORQUE

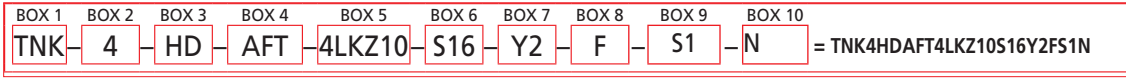
# Complete Tank Solutions

## TNK 4

### How to Build a Valid Model Number for a Schroeder TNK4:



**Example:** NOTE: Only box 10 may contain more than one option



BOX 1

| Product Series |
|----------------|
| TNK            |

BOX 2

| Size         |
|--------------|
| 4 = 4 Gallon |

BOX 3

| Material   |
|------------|
| HD = HDPE  |
| PA = Nylon |

BOX 4

| Return Filter |
|---------------|
| AFT           |

BOX 5

| Element Micron Selection       |
|--------------------------------|
| 4LKZ3 = 4" 3 micron Z-Media®   |
| 4LKZ5 = 4" 5 micron Z-Media®   |
| 4LKZ10 = 4" 10 micron Z-Media® |
| 4LKZ25 = 4" 25 micron Z-Media® |
| 8LKZ3 = 8" 3 micron Z-Media®   |
| 8LKZ5 = 8" 5 micron Z-Media®   |
| 8LKZ10 = 8" 10 micron Z-Media® |
| 8LKZ25 = 8" 25 micron Z-Media® |

BOX 6

| Inlet Porting (AFT) |
|---------------------|
| S16 = SAE-16        |
| L16 = 90 Deg SAE-16 |

BOX 7

| Gauge Port Option (Elbow Only)                   |
|--|
| N = Plugged                                      |
| Y2 = Tricolor Visual Indicator (Back Mounted)    |
| Y2C = Tricolor Visual Indicator (Bottom Mounted) |
| ES = Electric Switch                             |
| ES1 = Heavy Duty Electric Switch                 |

BOX 8

| Filler/Breather |
|-----------------|
| F = PABS1       |

BOX 9

| Sight Glass           |
|-----------------------|
| S1 = Sight Glass Side |
| N = No Sight Glass    |

BOX 10

| Suction Strainer                      |
|---------------------------------------|
| S = SAE-20, Side - Flow Rate: 25 GPM  |
| F = SAE 20, Front - Flow Rate: 25 GPM |
| N = No Strainer                       |

### Filter Model Number Selection For TNK4

NOTES:

Suction flow rate for the TNK 4 Strainer is 10 GPM.

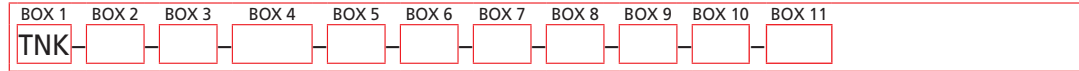
NOTES:

Box 4. Micron Rating refers to the return filter element rating.

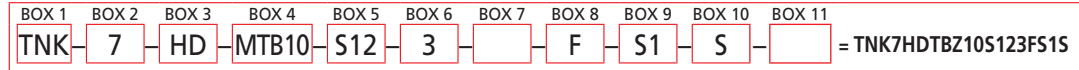
FURTHER INFORMATION:  
Tank Mounting Straps sold as a separate part number, please see next page for configurations and options.

## Filter Model Number Selection For TNK7

### How to Build a Valid Model Number for a Schroeder TNK7:



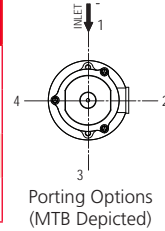
**Example:** NOTE: Only box 10 may contain more than one option



| BOX 1                 | BOX 2                                   | BOX 3                   | BOX 4   |     |  |        |  |        |  |         |   |         |   |
|-----------------------|---|-------------------------|---|-----|--|--------|--|--------|--|---------|---|---------|---|
| <b>Product Series</b> | <b>Size</b>                             | <b>Material</b>         | <b>Return Filter &amp; Element Micron Selection</b>   |     |  |        |  |        |  |         |   |         |   |
| TNK                   | 7 = 7 Gallon                            | HD = HDPE<br>PA = Nylon | <table border="1"> <thead> <tr> <th colspan="2">MTB</th> </tr> </thead> <tbody> <tr> <td>MTB3 =</td> <td>3 µm Excellement® Z-Media® (Synthetic)</td> </tr> <tr> <td>MTB5 =</td> <td>5 µm Excellement® Z-Media® (Synthetic)</td> </tr> <tr> <td>MTB10 =</td> <td>10 µm Excellement® Z-Media® (Synthetic)</td> </tr> <tr> <td>MTB25 =</td> <td>25 µm Excellement® Z-Media® (Synthetic)</td> </tr> </tbody> </table> | MTB |  | MTB3 = | 3 µm Excellement® Z-Media® (Synthetic) | MTB5 = | 5 µm Excellement® Z-Media® (Synthetic) | MTB10 = | 10 µm Excellement® Z-Media® (Synthetic) | MTB25 = | 25 µm Excellement® Z-Media® (Synthetic) |
| MTB                   |   |                         |   |     |  |        |  |        |  |         |   |         |   |
| MTB3 =                | 3 µm Excellement® Z-Media® (Synthetic)  |                         |   |     |  |        |  |        |  |         |   |         |   |
| MTB5 =                | 5 µm Excellement® Z-Media® (Synthetic)  |                         |   |     |  |        |  |        |  |         |   |         |   |
| MTB10 =               | 10 µm Excellement® Z-Media® (Synthetic) |                         |   |     |  |        |  |        |  |         |   |         |   |
| MTB25 =               | 25 µm Excellement® Z-Media® (Synthetic) |                         |   |     |  |        |  |        |  |         |   |         |   |

| BOX 5                      |
|----------------------------|
| <b>Inlet Porting (MTB)</b> |
| P12 = ¾" NPTF              |
| P16 = 1" NPTF              |
| S12 = SAE-12               |
| S16 = SAE-16               |
| B12 = ISO 228 G-¾"         |
| B16 = ISO 228 G-1"         |

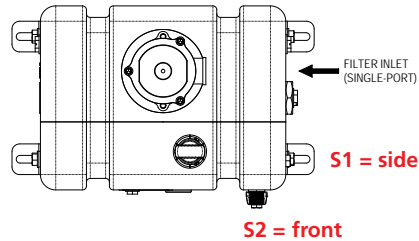
| BOX 6                                |
|--------------------------------------|
| <b>Filter Inlet Port Orientation</b> |
| 1 = Rear                             |
| 2 = Right                            |
| 3 = Front                            |
| 4 = Left                             |



| BOX 7                 |   |
|-----------------------|---|
| <b>Filter Options</b> |   |
| Omit = None           |   |
| Visual                | Y2C = Bottom-mounted gauge in cap<br>Y5 = Back-mounted gauge in cap |
| Electrical            | ESC = Electric pressure switch (2 terminals)                        |

| BOX 8                  |
|------------------------|
| <b>Filler/Breather</b> |
| F = PABS1              |

| BOX 9                  |
|------------------------|
| <b>Sight Glass</b>     |
| S1 = Sight Glass Side  |
| S2 = Sight Glass Front |
| N = No Sight Glass     |



| BOX 10                                |
|---------------------------------------|
| <b>Suction Strainer</b>               |
| S = SAE-20, Side - Flow Rate: 25 GPM  |
| F = SAE-20, Front - Flow Rate: 25 GPM |
| N = No Strainers                      |

| BOX 11            |
|-------------------|
| <b>Options</b>    |
| Omit = No Feet    |
| M = Mounting Feet |

#### NOTES:

- Box 4. Micron Rating refers to the return filter element rating.
- Box 6. MTB option offers single porting option only. Please align single port with corresponding directional number.

#### FURTHER INFORMATION:

Tank Mounting Straps sold as a separate part number, please see next page for configurations and options.

# Complete Tank Solutions

# TNK12/18

## How to Build a Valid Model Number for a Schroeder TNK12 & TNK18:

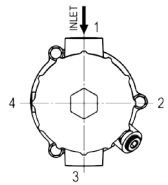
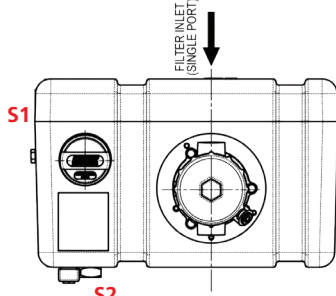
|       |       |       |       |       |       |       |       |       |        |
|-------|-------|-------|-------|-------|-------|-------|-------|-------|--------|
| BOX 1 | BOX 2 | BOX 3 | BOX 4 | BOX 5 | BOX 6 | BOX 7 | BOX 8 | BOX 9 | BOX 10 |
| TNK   |       |       |       |       |       |       |       |       |        |

**Example:** NOTE: Only box 10 may contain more than one option

|       |       |       |       |       |       |       |       |       |        |
|-------|-------|-------|-------|-------|-------|-------|-------|-------|--------|
| BOX 1 | BOX 2 | BOX 3 | BOX 4 | BOX 5 | BOX 6 | BOX 7 | BOX 8 | BOX 9 | BOX 10 |
| TNK   | 12    | HD    | ZT10  | S     | 3     | Y2    | F     | S2    | S      |

= TNK12HDZT10S3Y2FS2S

**Filter Model Number Selection For TNK12 & TNK18**

|   |   |   |  |
|---|---|---|--|
| <b>BOX 1</b><br><b>Product Series</b><br>TNK  | <b>BOX 2</b><br><b>Size</b><br>12 = 12 Gallon<br>18 = 18 Gallon   | <b>BOX 3</b><br><b>Material</b><br>HD = HDPE<br>PA = Nylon  | <b>BOX 4</b><br><b>Return Filter &amp; Element Micron Selection</b><br><b>ZT/GZT (GeoSeal®)</b><br>ZT1/GZT1 = 1 µm Excellement® Z-Media® (Synthetic)<br>ZT3/GZT3 = 3 µm Excellement® Z-Media® (Synthetic)<br>ZT5/GZT5 = 5 µm Excellement® Z-Media® (Synthetic)<br>ZT10/GZT10 = 10 µm Excellement® Z-Media® (Synthetic)<br>ZT25/GZT25 = 25 µm Excellement® Z-Media® (Synthetic) |
| <b>BOX 5</b><br><b>Inlet Porting (ZT/GZT)</b><br>P = 1" NPTF<br>PP = Dual 1" NPTF<br>S = SAE-16<br>SS = Dual SAE-16<br>B = ISO 228 G-1"<br>BB = Dual ISO 228 G-1" | <b>BOX 6</b><br><b>Filter Inlet Port Orientation</b><br>1 = Rear<br>2 = Right<br>3 = Front<br>4 = Left  | <b>BOX 7</b><br><b>Filter Options</b><br>Omit = None<br>D = Diffuser<br>Visual<br>Y2 = Back-mounted tricolor gauge<br>Y2C = Bottom-mounted gauge in cap<br>Y5 = Back-mounted gauge in cap<br>Electrical<br>ES = Electric switch<br>ES1 = Heavy-duty electric switch with conduit connection | <b>BOX 8</b><br><b>Filler/Breather</b><br>F = PABS3  |
| <b>BOX 9</b><br><b>Sight Glass</b><br>S1 = Sight Glass Side<br>S2 = Sight Glass Front<br>N = No Sight Glass   | <b>BOX 10</b><br><b>Suction Strainer</b><br>S = SAE-20, 100 Mesh Strainer (25 GPM Flow Rate)<br>N = No Strainer / SAE-32 Open Port<br><b>For TNK18 Only</b><br>B = SAE-12 Flow Rate: 10 GPM<br>SAE-24 Flow Rate: 25 GPM |  <p>Porting Options (ZT Depicted)</p>    |  |

NOTES:

Box 4. Micron Rating refers to the return filter element rating.

FURTHER INFORMATION:  
Tank Mounting Straps sold as a separate part number, please see next page for configurations and options.

## Filter Model Number Selection For TNK25

### How to Build a Valid Model Number for a Schroeder TNK25:

|       |       |       |       |        |        |        |        |       |       |       |        |
|-------|-------|-------|-------|--------|--------|--------|--------|-------|-------|-------|--------|
| BOX 1 | BOX 2 | BOX 3 | BOX 4 | BOX 5A | BOX 5B | BOX 6A | BOX 6B | BOX 7 | BOX 8 | BOX 9 | BOX 10 |
| TNK   |       |       |       |        |        |        |        |       |       |       |        |

**Example:** NOTE: Only box 10 may contain more than one option

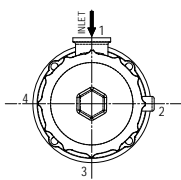
|       |       |       |       |        |        |        |        |       |       |       |        |
|-------|-------|-------|-------|--------|--------|--------|--------|-------|-------|-------|--------|
| BOX 1 | BOX 2 | BOX 3 | BOX 4 | BOX 5A | BOX 5B | BOX 6A | BOX 6B | BOX 7 | BOX 8 | BOX 9 | BOX 10 |
| TNK   | 25    | HD    | RT10  | S      |        | 3      |        | Y2    | F     | S2    | R      |

= TNK25HDRT10S3Y2FS2R

| BOX 1                     | BOX 2                                   | BOX 3                   | BOX 4  |                           |  |                  |  |                  |  |                  |  |                     |   |                     |   |
|---------------------------|---|-------------------------|--|---------------------------|--|------------------|--|------------------|--|------------------|--|---------------------|---|---------------------|---|
| <b>Product Series</b>     | <b>Size</b>                             | <b>Material</b>         | <b>Return Filter &amp; Element Micron Selection</b>  |                           |  |                  |  |                  |  |                  |  |                     |   |                     |   |
| TNK                       | 25 = 25 Gallon                          | HD = HDPE<br>PA = Nylon | <table border="1"> <tr> <th colspan="2">GRTB/RT/GRT (G= GeoSeal®)</th> </tr> <tr> <td>GRTB1/RT1/GRT1 =</td> <td>1 µm Excellement® Z-Media® (Synthetic)</td> </tr> <tr> <td>GRTB3/RT3/GRT3 =</td> <td>3 µm Excellement® Z-Media® (Synthetic)</td> </tr> <tr> <td>GRTB5/RT5/GRT5 =</td> <td>5 µm Excellement® Z-Media® (Synthetic)</td> </tr> <tr> <td>GRTB10/RT10/GRT10 =</td> <td>10 µm Excellement® Z-Media® (Synthetic)</td> </tr> <tr> <td>GRTB25/RT25/GRT25 =</td> <td>25 µm Excellement® Z-Media® (Synthetic)</td> </tr> </table> <p>Filters chosen here, go to the corresponding inlet porting options in either Box 5A (GRTB) or Box 5B (RT/GRT).</p> | GRTB/RT/GRT (G= GeoSeal®) |  | GRTB1/RT1/GRT1 = | 1 µm Excellement® Z-Media® (Synthetic) | GRTB3/RT3/GRT3 = | 3 µm Excellement® Z-Media® (Synthetic) | GRTB5/RT5/GRT5 = | 5 µm Excellement® Z-Media® (Synthetic) | GRTB10/RT10/GRT10 = | 10 µm Excellement® Z-Media® (Synthetic) | GRTB25/RT25/GRT25 = | 25 µm Excellement® Z-Media® (Synthetic) |
| GRTB/RT/GRT (G= GeoSeal®) |   |                         |  |                           |  |                  |  |                  |  |                  |  |                     |   |                     |   |
| GRTB1/RT1/GRT1 =          | 1 µm Excellement® Z-Media® (Synthetic)  |                         |  |                           |  |                  |  |                  |  |                  |  |                     |   |                     |   |
| GRTB3/RT3/GRT3 =          | 3 µm Excellement® Z-Media® (Synthetic)  |                         |  |                           |  |                  |  |                  |  |                  |  |                     |   |                     |   |
| GRTB5/RT5/GRT5 =          | 5 µm Excellement® Z-Media® (Synthetic)  |                         |  |                           |  |                  |  |                  |  |                  |  |                     |   |                     |   |
| GRTB10/RT10/GRT10 =       | 10 µm Excellement® Z-Media® (Synthetic) |                         |  |                           |  |                  |  |                  |  |                  |  |                     |   |                     |   |
| GRTB25/RT25/GRT25 =       | 25 µm Excellement® Z-Media® (Synthetic) |                         |  |                           |  |                  |  |                  |  |                  |  |                     |   |                     |   |

Choose BOX 5A/6A or 5B/6B

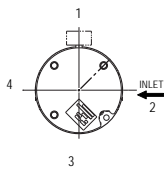
| BOX 5A                      | BOX 6A                               |
|-----------------------------|--------------------------------------|
| <b>Inlet Porting (GRTB)</b> | <b>Filter Inlet Port Orientation</b> |
| P = 1.25" NPT               | 1 = Rear                             |
| S = SAE-20                  | 2 = Right                            |
| B = ISO 228 G-1.25"         | 3 = Front                            |
|                             | 4 = Left                             |



Porting Options (GRTB Depicted)

or

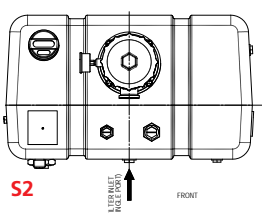
| BOX 5B                               |                                      |                                      | BOX 6B                               |
|--------------------------------------|--------------------------------------|--------------------------------------|--------------------------------------|
| <b>Inlet Porting (RT/GRT) Port A</b> | <b>Inlet Porting (RT/GRT) Port B</b> | <b>Inlet Porting (RT/GRT) Port C</b> | <b>Filter Inlet Port Orientation</b> |
| P16 = 1" NPTF                        | N = None                             | N = None                             | 1 = Rear                             |
| P20 = 1¼" NPTF                       | P16 = 1" NPTF                        | P2 = ½" NPTF                         | 2 = Right                            |
| P24 = 1½" NPTF                       | P20 = 1¼" NPTF                       | P16 = 1" NPTF                        | 3 = Front                            |
| P32 = 2" NPTF                        | P24 = 1½" NPTF                       | S16 = SAE-16                         | 4 = Left                             |
| S16 = SAE-16                         | P32 = 2" NPTF                        |                                      |                                      |
| S20 = SAE-20                         | S16 = SAE-16                         |                                      |                                      |
| S24 = SAE-24                         | S20 = SAE-20                         |                                      |                                      |
| S32 = SAE-32                         | S24 = SAE-24                         |                                      |                                      |
| F20 = 1¼" SAE 4-bolt flange Code 61  | S32 = SAE-32                         |                                      |                                      |
| F24 = 1½" SAE 4-bolt flange Code 61  | F20 = 1¼" SAE 4-bolt flange Code 61  |                                      |                                      |
| F32 = 2" SAE 4-bolt flange Code 61   | F24 = 1½" SAE 4-bolt flange Code 61  |                                      |                                      |
| B24 = ISO 228 G-½"                   | F32 = 2" SAE 4-bolt flange Code 61   |                                      |                                      |
|                                      | B24 = ISO 228 G-½"                   |                                      |                                      |



Porting Options (RT/GRT Depicted)

| BOX 7                 |   |
|-----------------------|---|
| <b>Filter Options</b> |   |
|                       | Omit = None   |
|                       | D = Diffuser  |
| Visual                | Y2 = Back-mounted tricolor gauge<br>Y2C = Bottom-mounted gauge in cap<br>Y5 = Back-mounted gauge in cap |
| Electrical            | ES = Electric switch<br>ES1 = Heavy-duty electric switch with conduit connection                        |

| BOX 8                  | BOX 9                  | BOX 10  |
|------------------------|------------------------|---|
| <b>Filler/Breather</b> | <b>Sight Glass</b>     | <b>Options</b>  |
| F = PABS1              | S1 = Sight Glass Side  | N = No Suction Strainer   |
|                        | S2 = Sight Glass Front | R = SAE-24, 100 Mesh Strainer on front side<br>Flow Rate: 25 GPM  |
|                        | N = No Sight Glass     | B = SAE-24, 100 Mesh Strainer on both sides<br>(25 GPM Flow Rate) |



**NOTES:**

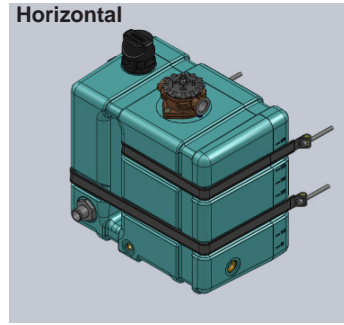
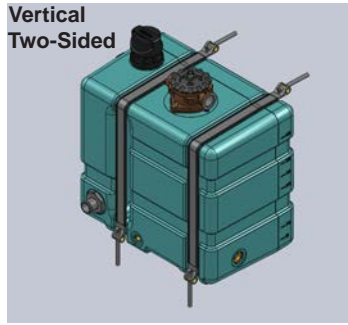
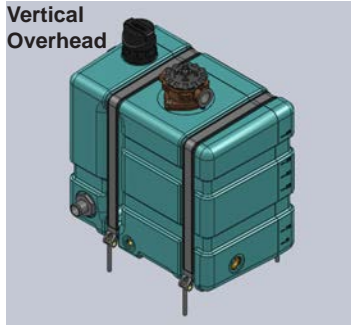
Box 4. Micron Rating refers to the return filter element rating.  
\*Box 7. Y2C and Y5 options for RT/GRT only.

**FURTHER INFORMATION:**  
Tank Mounting Straps sold as a separate part number, please see next page for configurations and options.



# Complete Tank Solutions

Mobile applications have unique requirements for hydraulic components. Often, these components need to be small, compact and as lightweight as possible. Making sure these reservoirs are secure is often overlooked. Schroeder Industries has taken the steps to ensure that customers have all the tools necessary to securely operate their mobile equipment. Schroeder's Plastic Tank (TNK) Reservoir, a money and time-saving solution with an integrated return filter and accessories in one compact package, also includes mounting straps. These mounting straps have been developed to assure a safe and secure connection to the frame or chassis of any mobile vehicle. These straps are offered in three configurations for both sizes of the Plastic Tank in a rubber coated steel strap.



## Plastic Tank Strap Arrangement Introduction

**Mounting Possibility**  
Represents 12, 18 & 25 Gallon Strap Locations

| TNK7 Straps*      |        |                  |        |
|-------------------|--------|------------------|--------|
| Vertical Overhead | 443635 | Horizontal Upper | 444066 |

| TNK12 Straps*      |        |                  |        |
|--------------------|--------|------------------|--------|
| Vertical Overhead  | 443868 | Horizontal Upper | 444066 |
| Vertical Two-Sided | 443889 | Horizontal Lower | 444185 |

| TNK18 Straps*      |         |                  |         |
|--------------------|---------|------------------|---------|
| Vertical Overhead  | 3054998 | Horizontal Upper | 444490  |
| Vertical Two-Sided | 444183  | Horizontal Lower | 3521866 |

| TNK25 Straps*      |         |                  |         |
|--------------------|---------|------------------|---------|
| Vertical Overhead  | 4231789 | Horizontal Upper | 444490  |
| Vertical Two-Sided | 444183  | Horizontal Lower | 4389641 |

\*Straps are not sold in sets. Each part number designates one strap.

## Ordering Information: