

28 SERIES

SINGLE STACK FILTER HOUSING

28 SERIES plastic filter housings have been designed for use in a wide range of liquid applications within the processing industry. Most standard industrial disposable filter elements will fit this attractive range of filter housings, which include versions in polypropylene with clear or opaque bowls.

All housings in the range will accept the industry standard Double Open End range of cartridges and the 28 SERIES Standard model also accepts Single Open End code 9 cartridges. Each of these models can be supplied with optional extras such as mounting brackets and releasing spanners.

Product Features:

S-Line

- 5 & 10" with 3/8" BSPF
- Available for Code 0, DOE
- Optional clear and opaque bowls

Standard

- 10 & 20" with 3/4" BSPF
- Available for Code 0, DOE and Code 9, SOE
- Optional clear and opaque bowls
- With pressure release

B-Blue

- 10 & 20" with 1 & 1/2" BSPF
- Available for Code 0, DOE
- Optional clear and opaque bowls
- With pressure release

The complete range has been subjected to numerous cyclic and burst tests, to ensure consistently safe and reliable performance.

In addition, all plastics used have been subjected to total compatibility tests and have been proved to be suitable for use with potable water.



Accessories	S-Line	Standard	B-Blue
Releasing Spanner	28SPF00000	28SPF00001	28SPF00002
Mounting Bracket	28SPF00003	28SPF00001	28SPF00002

28 Series features and benefits

- Choice of clear or opaque bowls for all 5, 10 and 20" versions
- Models available to accept the conventional 2.5" O/D and B-Blue 4.5" O/D cartridges
- Wide chemical compatibility using PP, ABS, Polycarbonate and AS materials of construction
- All models have BSPF threads for ease of installation
- Push button pressure and air release available on most models
- Robust and rugged designs suitable for most industrial applications

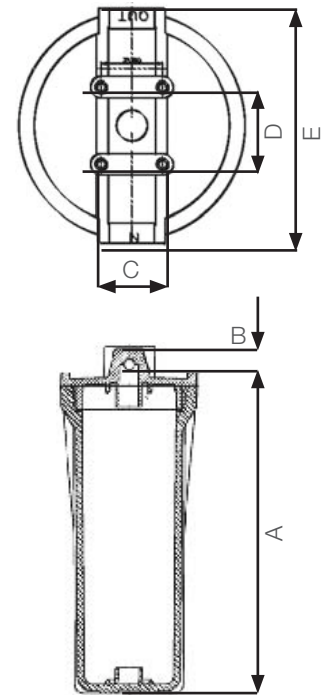
Technical data

Maximum Operating Conditions

Model	Materials of Construction		Max Pressure	Max Temp	Connections
	Head	Bowl			
Clear S-Line	PP	AS	6.2 Bar g	45°C	3/8"
Clear Standard	PP	AS	6.2 Bar g	45°C	3/4"
Clear B-Blue	ABS	PC	6.2 Bar g	45°C	1 or 1½"
Blue S-Line	PP	PP	6.2 Bar g	45°C	3/8"
Blue Standard	PP	PP	6.2 Bar g	45°C	3/4"
Blue B-Blue	ABS	PP	6.2 Bar g	45°C	1 or 1½"

As with all plastic housings, the units should not be subjected to water hammer or shock conditions and should be protected from freezing.

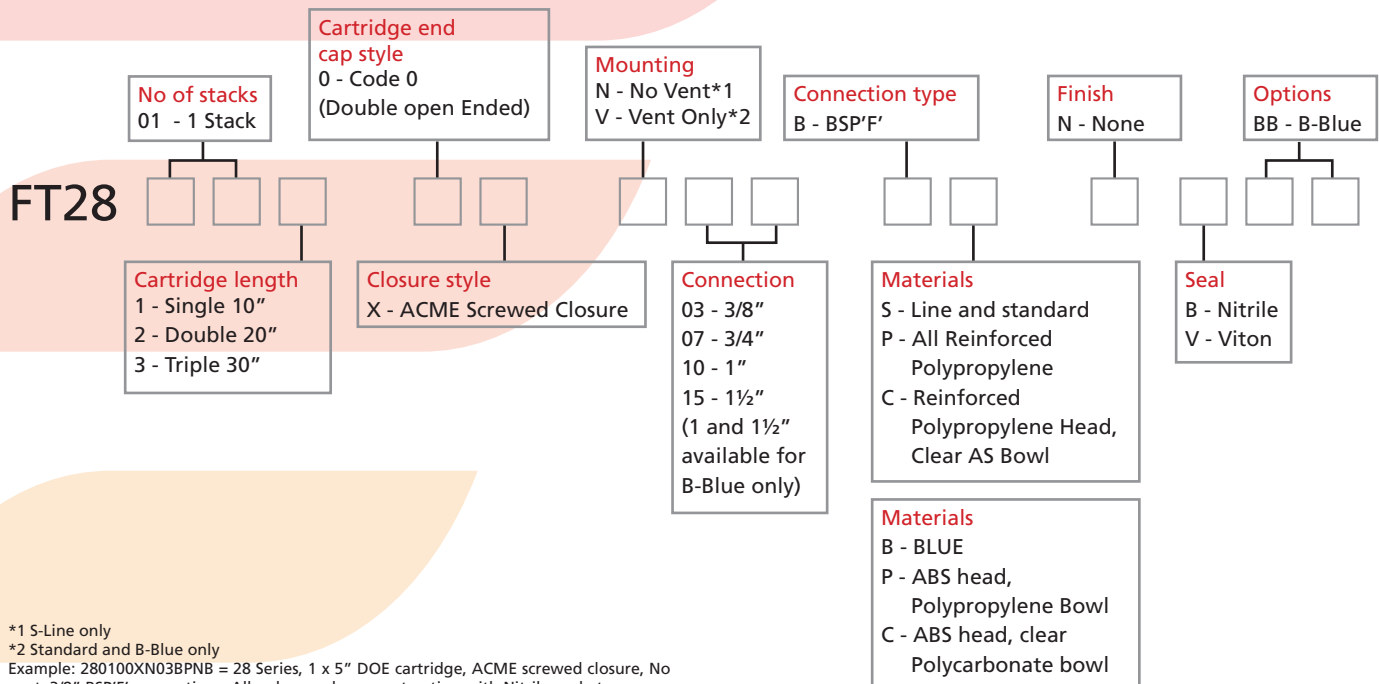
Model	Dimensions					Volume (liters)	Dry Weight	Boxed Weight (Kg)
	A	B	C	D	E			
280100XN03B*NB	165	16	31	39	119	0.6	15	10.15
280110XN03B*NB	285	17	31	39	119	1.2	15	13.45
280110XV07B*NB	290	23.5	58	56	133	1.4	12	16.35
280120XV07B*NB	545	26	58	56	133	2.9	8	16.85
280110XV10B*NBBB	315	31	77	77	185	3.6	6	15.65
280120XV15B*NBBB	565	34	77	77	185	6.9	6	22.7



PED Status: Compliant with 97/23/EC

- Fluid Groups: Liquids Group 2 (Sound Engineering Practice)

Ordering guide



*1 S-Line only

*2 Standard and B-Blue only

Example: 280100XN03BPNB = 28 Series, 1 x 5" DOE cartridge, ACME screwed closure, No vent, 3/8" BSP'F' connections. All polypropylene construction with Nitrile gaskets.