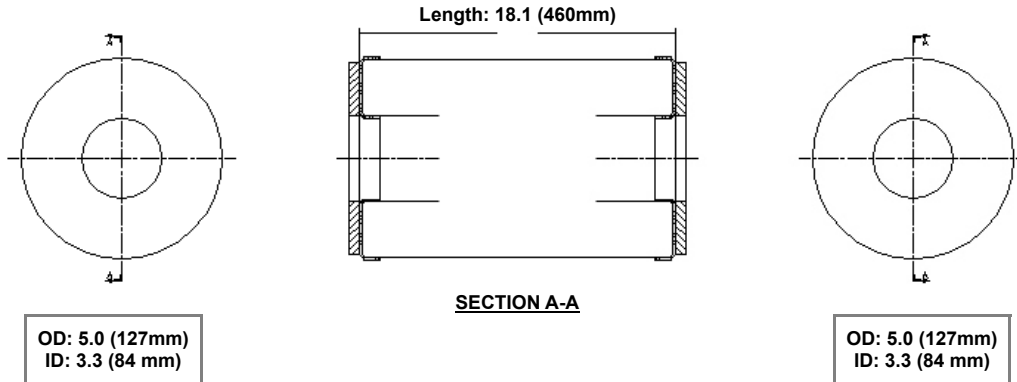


Sales Drawing of a Schroeder BBZ10 Element



ELEMENT SPECIFICATIONS

Flow Direction: OUTSIDE-IN

Seal Material: BUNA N

Seal Type: GASKET

Bypass Valve: NONE

End Cap Material: STEEL

Support Tube Material: STEEL

Media Type: SYNTHETIC MICROGLASS

Micron Rating: 10

Element Collapse Rating: 150 PSID

Operating Temperature Range: -20 F TO 225 F (-29 C TO 107 C)

Dirt Holding Capacity: 272 gms

EFFICIENCY RATING PER ISO 16889

$\beta_x(c) \geq 75 (98.7\%) = 6.8$ $\beta_x(c) \geq 100 (99.0\%) = 7.1$ $\beta_x(c) \geq 200 (99.5\%) = 8.0$ $\beta_x(c) \geq 1000 (99.9\%) = 10.0$

Notes

These drawings, specifications and the ideas contained herein are the exclusive property of Schroeder Industries and are confidential. These documents shall not be copied or reproduced in part or in full as a basis of design, manufacture or sale; and shall not be used in any way detrimental to the interest of this company. They are subject to return upon request.

Schroeder
INDUSTRIES LLC
www.schroederindustries.com