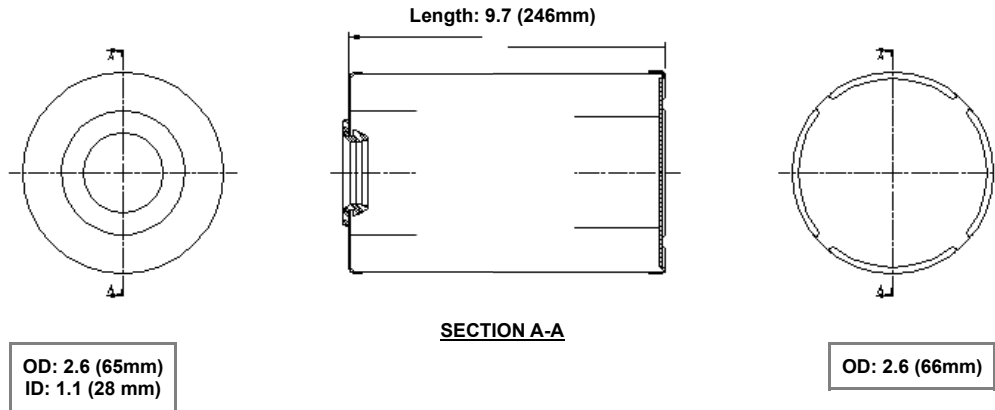


Sales Drawing of a Schroeder DD10 Element



ELEMENT SPECIFICATIONS

Flow Direction: OUTSIDE-IN
 Seal Material: BUNA N
 Seal Type: GROMMET
 Bypass Valve: NONE
 End Cap Material: STEEL
 Support Tube Material: STEEL

Media Type: CELLULOSE
 Micron Rating: 10
 Element Collapse Rating: 150 PSID
 Operating Temperature Range: -20 F TO 225 F (-29 C TO 107 C)
 Dirt Holding Capacity: 14 gms

EFFICIENCY RATING PER ISO 4572

$\beta_x \geq 75$ (98.7%) = 15.5 $\beta_x \geq 100$ (99.0%) = 16.2 $\beta_x \geq 200$ (99.5%) = 18.0

Notes

These drawings, specifications and the ideas contained herein are the exclusive property of Schroeder Industries and are confidential. These documents shall not be copied or reproduced in part or in full as a basis of design, manufacture or sale; and shall not be used in any way detrimental to the interest of this company. They are subject to return upon request.

Schroeder
INDUSTRIES LLC
www.schroederindustries.com