

## 63 Series MULTI STACK FILTER HOUSING

The **63 SERIES Multi cartridge housing** is designed to accommodate 3, 5, 10 or 15 stacks of filters up to 40" long. The centre positioned, split shell opening style is equipped with a Cast Vee clamp as standard for pressures ranging from 7-10 bar g. Equipped with the inverted dished end, this free standing housing with split shell design is the ideal choice when using Single Open End plug in style cartridges.

The simple to lift off lightweight dome allows full and easy access to the cartridges for rapid changeouts. With the ability to accept both standard Double Open End and Single Open End cartridges, this housing will suit most applications where finer levels of filtration are required. Bolted closures are an option available for all models.

The **63 SERIES** will accept the full range of Filtertechnik and industry standard cartridges with nominal lengths of 20, 30 and 40".



### Product Features

- Split body design allows easy access to cartridges for filter changeout
- Free standing, easy to install design style
- Vee clamp closures use unique 'W' style seal for reliable leak free operation
- High quality cast Vee band clamps for safety and security
- Cast compression nut with integral PTFE washer for easy, hand tight cartridge sealing
- Wide range of connection sizes and types available
- PED and ATEX Compliant

### Features and Benefits

- Large selection of housing sizes available so suitable for a wide range of processes
- Integral vent, clean and dirty drains to aid efficient filter changeout
- Each housing is etched with a unique 'W' style seal for reliable leak free operation
- Cast compression nut with integral PTFE washer for easy, hand tight cartridge sealing
- Wide range of connection sizes and types, cartridge lengths and materials of construction
- Universal cup allows the use of plug in (Code 3, Code 8 & Code A) or DOE cartridge styles in the same housing

### Product Range

Filtertechnik design and manufacture an extensive range of liquid filtration systems, providing one of the widest selections of filtration vessels, depth filters and pleated cartridges available today, ensuring excellent process and filter compatibility. As one of Europe's leading manufacturers of filtration systems, Filtertechnik is able to offer a solution to meet all filtration requirements. Filtertechniks' filters are manufactured in clean room conditions and all products come with detailed Product Validation Guides and Technical Support documentation.

## TECHNICAL DATA

### Maximum Operating Conditions

	6303	6305	6307	6310	6315
Liquid:	Vee Clamp: 10 Bar g	10 Bar g	10 Bar g	10 Bar g	7 Bar g
Bolted Closure:	FV / 10 Bar g	FV / 10 Bar g	FV / 10 Bar g	FV / 10 Bar g	FV / 10 Bar g
Gas:	Vee Clamp: 7.5 Bar g	4.5 Bar g	4.5 Bar g	2 Bar g	1.5 Bar g
Bolted Closure:	FV / 7.5 Bar g	FV / 4.5 Bar g	FV / 4.5 Bar g	FV / 2 Bar g	FV / 1.5 Bar g
Maximum Temperature:	-10°C / 150°C				

### Materials of Construction

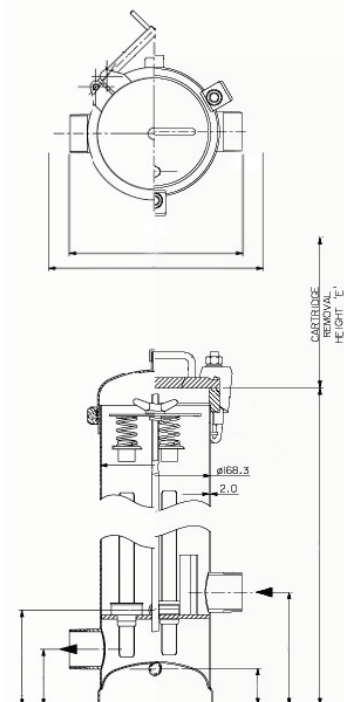
Body:	316L St.Steel
Closure:	Vee Clamp - 304 St.Steel Screw Clamps - Zinc plated carbon steel (Optional Stainless Steel)
Vessel Finish:	Electropolished

### Connections

	6103-05	6310	6315
Inlet / Outlet	2" BSPM	3" BSPM	4" BSPM
Vent:	1/4" BSPM	1/4" BSPM	1/2" BSPM
Drain:	1/2" BSPM	1/2" BSPM	1" BSPM

### PED Status: Compliant with 2014/68/EU

Fluid Groups:	Liquids Group 2 Gas Group 2
Marking:	CE
Atex:	Compliant with 2014/34/EU, level CE Ex II 2 GD c X



### Ordering guide

