

IFC6050-2NX

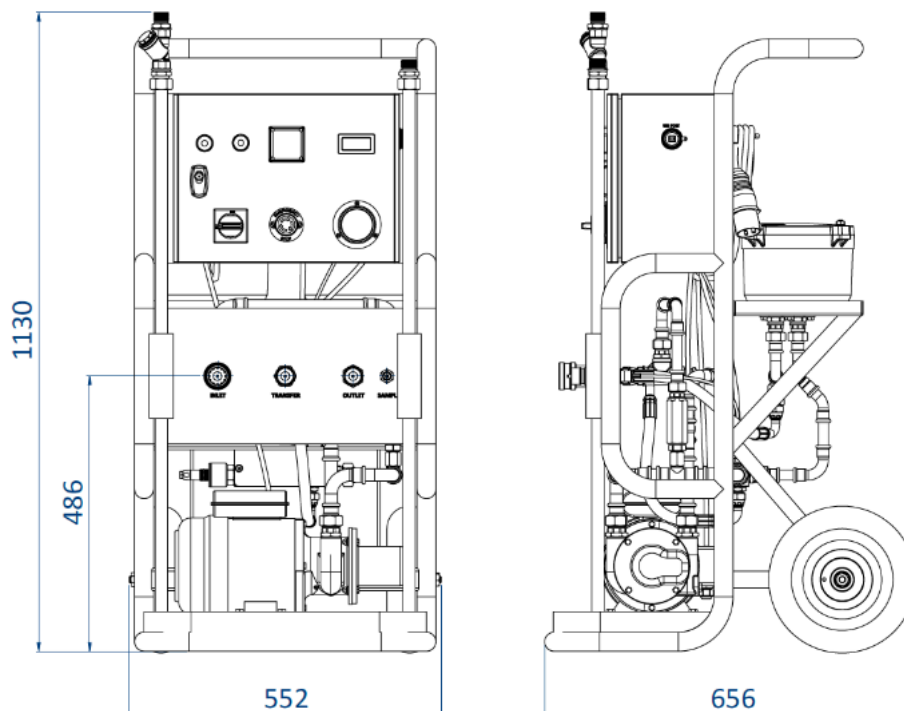
Datasheet



Specifications

Specification	Detail	
	IFC6050-2-110	IFC6050-2-240
Dimensions	(w)620 mm x (d)510 mm x (h)1050 mm	
Weight	60 kg	
Frame	Mild Steel	
Finish	Powder Coated: RAL 5004 BLACK BLUE	
Voltage	110 VAC (+10% to -6%)	240 VAC (+10% to -6%)
Frequency	50 Hz (+/-2%)	
Current	3.6 Amps	1.5 Amps
Power	.2kW	
Pump type	Progressive Cavity Screw pump	
Flow rate (max)	10 ltr/min	
Viscosity range	20 to 100 cSt	
Duty Cycle	Continuous	
Filtration	2 x Hippo Filter (FTHF-01)	
Filter blocked indicator	Pressure Gauge	
Filter bypass	2.8 bar (40 psid)	
Connections	3/4" QRC (Quick release couplings)	
Suction hose	3m long x 3/4" QRCM (Quick release coupling with strainer)	
Discharge hose	3m long x 3/4" QRCF (Quick release coupling)	
Ambient temperature	-10°C to +60°C	
Maximum humidity	90% relative humidity, non-condensing	
Environment	IP55	

Dimensions



Filtertechnik 1 Central Park, Lenton Lane, Nottingham, NG7 2NR

Tel: +44 (0)115 9003 600

Fax: +44 (0)115 986 8875

Email: sales@filtertechnik.co.uk

Web: www.filtertechnik.co.uk

