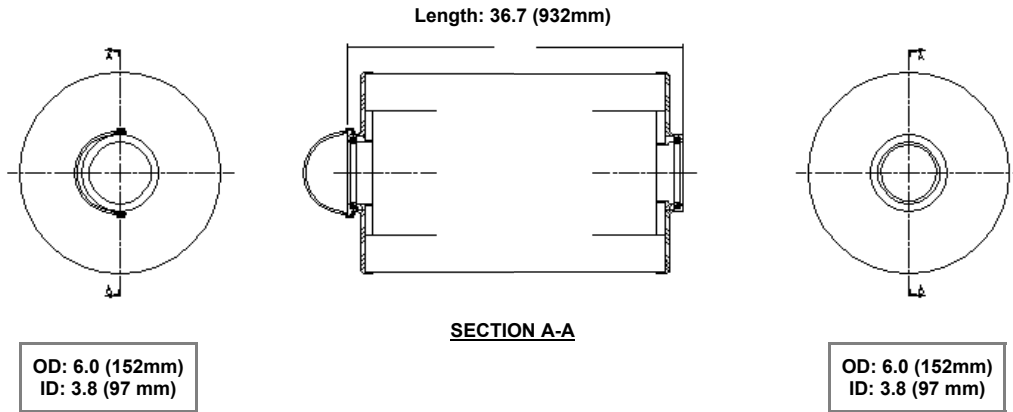


Sales Drawing of a Schroeder 39QCLZ10V Element



ELEMENT SPECIFICATIONS

| | |
|---|---|
| <p>Flow Direction: OUTSIDE-IN</p> <p>Seal Material: VITON</p> <p>Seal Type: O-RING</p> <p>Bypass Valve: NONE</p> <p>End Cap Material: PLASTIC</p> <p>Support Tube Material: PLASTIC</p> | <p>Media Type: SYNTHETIC MICROGLASS</p> <p>Micron Rating: 10</p> <p>Element Collapse Rating: 150 PSID</p> <p>Operating Temperature Range: -20 F TO 225 F (-29 C TO 107 C)</p> <p>Dirt Holding Capacity: 1214 gms</p> |
|---|---|

EFFICIENCY RATING PER ISO 16889

$\beta_{x(c)} \geq 75 (98.7\%) = 6.8$
 $\beta_{x(c)} \geq 100 (99.0\%) = 7.1$
 $\beta_{x(c)} \geq 200 (99.5\%) = 8.0$
 $\beta_{x(c)} \geq 1000 (99.9\%) = 10.0$

Notes

These drawings, specifications and the ideas contained herein are the exclusive property of Schroeder Industries and are confidential. These documents shall not be copied or reproduced in part or in full as a basis of design, manufacture or sale; and shall not be used in any way detrimental to the interest of this company. They are subject to return upon request.

Schroeder
INDUSTRIES LLC
www.schroederindustries.com