

FTECH-CARB CP

HIGH PERFORMANCE CARBON BLOCK FILTER CARTRIDGE

Ftech-Carb CP offers the very best in activated carbon technology. The cartridge is manufactured using a unique sintered carbon that is specifically designed for maximum decolourisation and organic contaminant reduction. It offers far superior adsorption levels when compared to other carbon block cartridges.

Ftech-Carb CP is an extremely economical and effective solution to many common liquid treatment applications where the reduction of colour, organics and other impurities is required. The carbon block is made using a high purity micro-porous, acid washed, steam activated carbon and is particularly suited to pharmaceutical applications.

Product Features:

- Unique sintered block using both granular and powdered carbon
- Spun bonded polypropylene prefiltration layer
- Modular construction from 5mm segments to 1018mm (40") long cartridges, suitable for laboratory, pilot plant and production scale operations.

The Ftech-Carb CP carbon block uses a unique sintering process that combines both granular and powdered activated carbon. This results in the highest available surface area for adsorption of contaminants. The carbon block is protected by a spun-bonded, pure polypropylene fibre prefiltration layer, to produce a unique high performance module, offering superior on-stream life.

Ftech-Carb CP cartridges are manufactured using the latest thermal welding technology, eliminating bypass commonly associated with adhesive bonded carbon modules. This results in a robust and durable filter assembly, particularly suited to a wide range of process conditions, including use in the harsh operating conditions encountered in pharmaceutical API plants.



Ftech-Carb CP features and benefits

- Combination of both granular and powdered activated carbon offers superior contaminant adsorption levels
- High active carbon content per module results in the use of smaller installations, less space required and lower costs
- Convenient low-weight cartridge format is easy to handle and modules can be changed-out without using lifting gear, special tools or other apparatus
- High purity micro-porous steam activated powdered carbon is particularly suited to removal of coloured impurities from pharmaceutical product and solvent streams.
- Graded density prefiltration layer protects carbon block offering extended life
- Thermally bonded construction eliminates fluidising, channelling and bypass
- All polymeric support structure offers excellent chemical compatibility
- Each cartridge is embossed with an identification number and fully traceable

Technical data

Dimensions

- Outside Diameter: 66.5mm
- Core Diameter: 27mm
- Length: See ordering guide

Sterilisation and Sanitisation*1

- Steam: 121°C for 15mins (20 cycles)
- Hot water: 90°C for 30 mins (0.2 bar Δ p max)

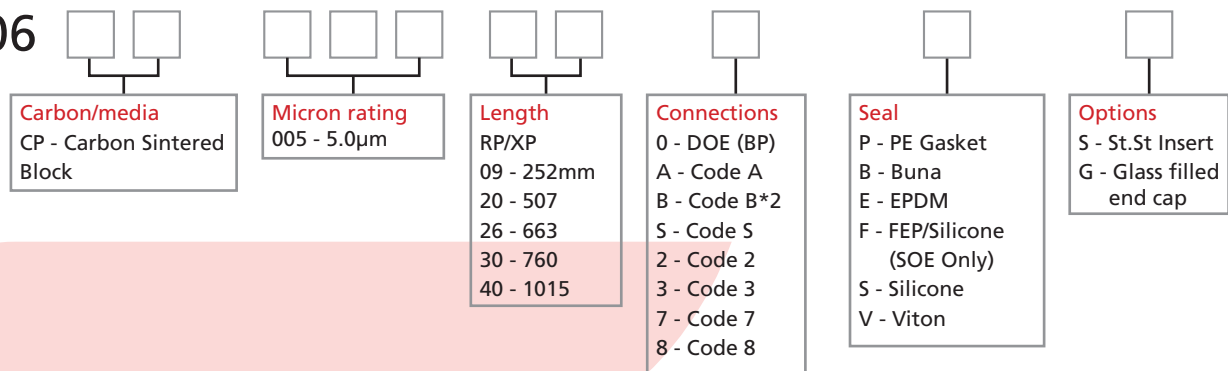
Maximum Operating Conditions

- Temperature: 80°C
- Recommended Maximum Differential Pressure: 1.5 Bar

Product validation guide available on request. All SUPACARB cartridges are manufactured under strict control with batch number identification, giving full traceability on all components.

Ordering guide

FT-06



Industries and applications

- **Pharmaceutical and Fine Chemicals**: Removal of coloured impurities from product and solvent streams
- **Food and Beverage**: Colour and odour reduction in beverages
- **Water Treatment**: Removal of chlorine, ozone, odour, colour and trace organic compounds
- **Chemical Manufacturing**: Removal of catalysts and wastewater treatment