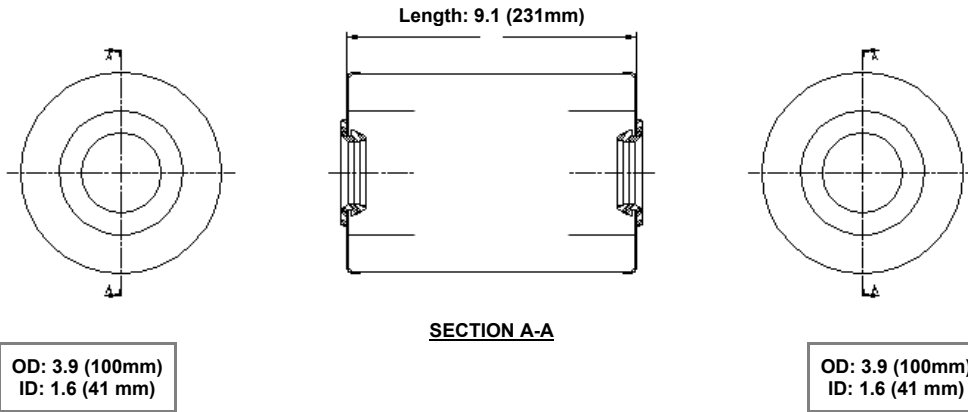


## Sales Drawing of a Schroeder KW Element



### ELEMENT SPECIFICATIONS

Flow Direction: OUTSIDE-IN

Seal Material: BUNA N

Seal Type: GROMMET

Bypass Valve: NONE

End Cap Material: STEEL

Support Tube Material: STEEL

Media Type: WATER REMOVAL

Micron Rating:

Element Collapse Rating: 150 PSID

Operating Temperature Range: -20 F TO 225 F (-29 C TO 107 C)

### Notes

These drawings, specifications and the ideas contained herein are the exclusive property of Schroeder Industries and are confidential. These documents shall not be copied or reproduced in part or in full as a basis of design, manufacture or sale; and shall not be used in any way detrimental to the interest of this company. They are subject to return upon request.

**Schroeder**  
**INDUSTRIES LLC**  
www.schroederindustries.com