

In-Line Magnetic Suction Separators

TF-SKB

ST

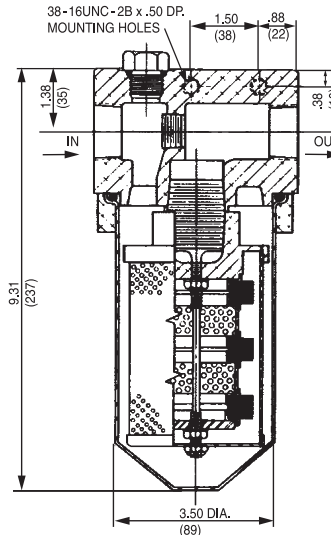
In addition to offering our magnetic suction strainer (SKB) as a stand alone product, we also offer the SKB enclosed in a housing, so that it can be used either in-line (TF-SKB or KF3-SKB) or as a reservoir-mounted filter (BFT-SKB). Flow rates and available porting vary—refer to the specifications for each.

Features and Benefits

- Protects components downstream by capturing potentially harmful ferrous particles

Specifications

Flow Rating:	12.5 gpm (47 L/min)
Element Replacement Part Number:	SKB-1
Element Change Clearance:	2.5" (65 mm)
Weight of TF-SKB:	5.8 lbs (2.6 kg)



TF-SKB

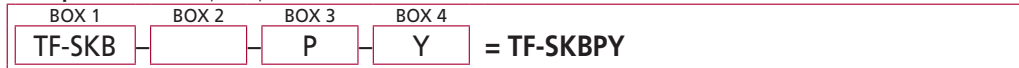
KF3-SKB

BFT-SKB

How to Build a Valid Model Number for a Schroeder TF-SKB:



Example: NOTE: One option per box



BOX 1	BOX 2	BOX 3	BOX 4
Filter Series	Seal Material	Porting	Dirt Alarm® Options
TF-SKB	Omit = Buna N	P = 1" NPTF	Omit = None
			Visual Y = Vacuum guage
			Electrical VS = Electrical Vacuum Switch
			VS1 = Heavy-Duty Vacuum Switch

Filter Model Number Selection

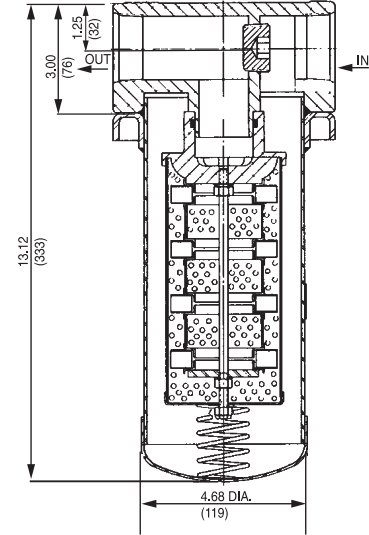
NOTE:
Box 1. Element replacement part number: SKB-1.

Features and Benefits

- Protects components downstream by capturing potentially harmful ferrous particles

Specifications

Flow Rating:	35 gpm (130 L/min)
Element Replacement Part Number:	A-LF-1789
Element Change Clearance:	1.5" (40 mm)
Weight of KF3-SKB:	11.5 lbs (5.2 kg)



Applications



INDUSTRIAL



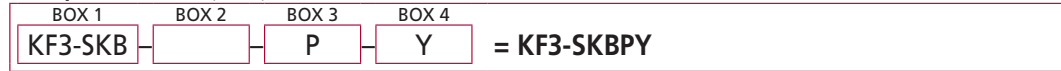
MOBILE VEHICLES

Filter Model Number Selection

How to Build a Valid Model Number for a Schroeder KF3-SKB:



Example: NOTE: One option per box



BOX 1	BOX 2	BOX 3	BOX 4
Filter Series	Seal Material	Porting	Dirt Alarm® Options
KF3-SKB	Omit = Buna N	P = 1/2" NPTF	Omit = None
			Visual = Vacuum guage
			Electrical = VS = Electrical Vacuum Switch
			VS1 = Heavy-Duty Vacuum Switch

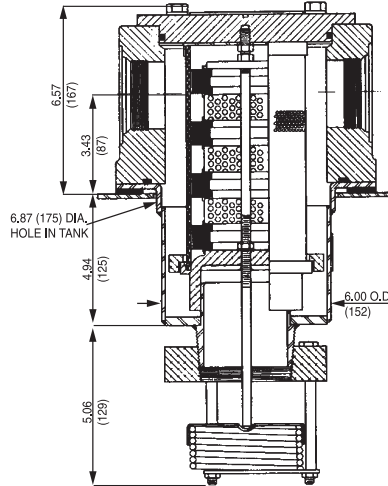
NOTE:
Box 1. Element replacement part number: A-LF-1789.

Tank-Mounted Magnetic Suction Separators

BFT-SKB

Features and Benefits

- Protects components downstream by capturing potentially harmful ferrous particles



Flow Rating:	75 gpm (285 L/min)
Element Replacement	with check valve: A-SKB-3-76
Part Number:	without check valve: SKB-3
Element Change Clearance:	13.5" (345 mm)
Weight of BFT-SKB:	32.0 lbs (14.5 kg)

Specifications



INDUSTRIAL

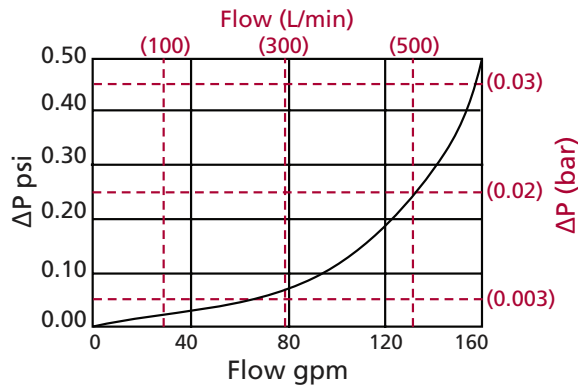


MOBILE VEHICLES

Applications

$$\Delta P_{\text{filter}} = \Delta P_{\text{housing}} + \Delta P_{\text{element}}$$

Note: Plotted curves shown in graph below include both housing and elements as indicated for fluids with sp gr = 0.86.



sp gr = specific gravity

Pressure Drop Information

Based on Flow Rate and Viscosity

ST

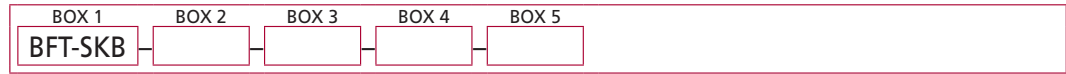
TF-SKB

KF3-SKB

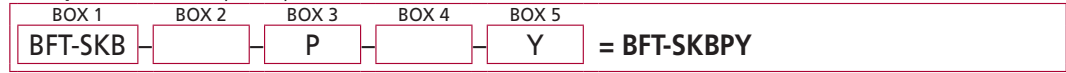
BFT-SKB

Filter Model Number Selection

How to Build a Valid Model Number for a Schroeder BFT-SKB::



Example: NOTE: One option per box



BOX 1	BOX 2	BOX 3	Box 4
Filter Series	Seal Material	Porting	Other Options
BFT-SKB	Omit = Buna N	P = 2½" NPTF PP = Dual 2½" NPTF F = 2½" SAE 4-bolt flange Code 61 FF = Dual 2½" SAE 4-bolt flange Code 61	Omit = None C = Check Valve

BOX 5	
Dirt Alarm® Options	
	Omit = None
Visual	Y = Vacuum guage YR = Vacuum guage mounted on opposite side of standard location
Electrical	VS = Electrical Vacuum Switch VSR = Electrical Vacuum Switch on opposite side of standard location VS1 = Heavy-Duty Vacuum Switch

Notes

NOTE:
Box 1. See specifications on previous page for element replacement part numbers.