



Filtertechnik

# 81 SERIES

## MINI BAG FILTER HOUSING

The 81 SERIES - MINI bag housing is available in both single and double lengths. The top opening style is equipped with a Vee clamp as standard for pressures up to 8.5 bar.g. These housings are widely used where low cost is of prime importance and this makes them the ideal choice to replace conventional cast stainless steel strainers.

The side inlet and bottom outlet configuration is perfectly suited to duties where product changes demand a simple to clean, easy access housing. With only the basket to remove, quick and efficient cleaning is possible with the 81 SERIES - MINI housing.

Bolted closures and heating jackets are options available for all models.

The 81 SERIES - MINI housing will accept the full range of Filtertechnik and industry standard bags ranging from 1 to 1000µm with nominal lengths of 7" (P3) and 14" (P4).

### Product Features:

- Quick release Vee clamp closure for ease of access rated at 8.5 bar
- Flat bolted closure for high pressure rated at 10 bar
- Internally and externally electropolished as standard
- Robust bag support basket assembly fabricated from perforated sheet rather than wire mesh for extra strength
- Wide range of options available for connection sizes and types and materials of construction
- Available in 316L stainless steel
- PED Compliance - Sound Engineering Practice



### 81 SERIES FEATURES AND BENEFITS

- Integral vent to aid efficient filter changeout
- Each housing is etched with a unique serial number for full traceability
- Full housing customisation service available

## Technical data

### Maximum Operating Conditions

- Maximum Pressure: **84 SERIES**  
8.5 Bar g - Vee clamp  
10 Bar g - Flat cover with screw clamps
- Maximum Temperature: 110°C

### Materials of Construction

- Body and Closure: 316L St. Steel
- Clamp: Cast Clamp - 304 St. Steel  
Screw clamps - Zinc plated carbon steel (optional stainless steel)

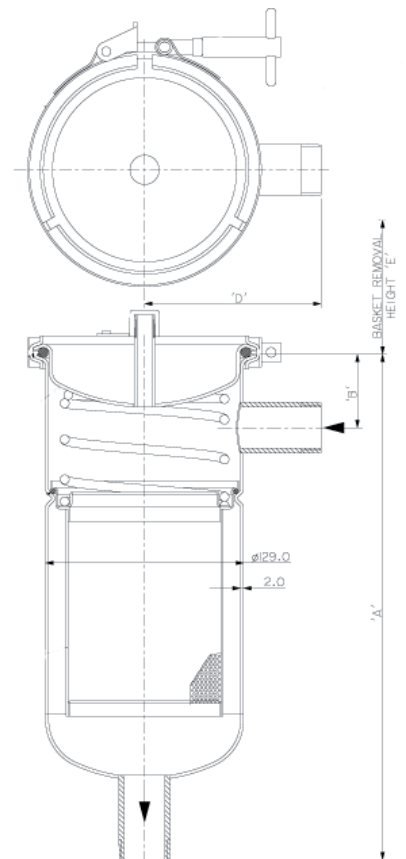
### Finish

- Vessel: Electropolished
- Basket: Pickled

### Connections

- Inlet/Outlet: 1", 1.5" or 2" BSPM
- Vent: ¼" BSPF with Plug

Model	Dimensions					Volume (liters)	Dry weight
	A	B	C	D	E		
81011MVN10A1EE	324	48	-	115	200	2.9	3.7
81012MVN15A1EE	483	48	-	115	350	4.8	5.2
81012MVN20A1EE	481	48	-	110	350	4.8	5.2



81 series drawing

### PED Status:

Compliant with 97/23/EC

- Fluid Groups: Liquids Group 2
- Marking: Sound Engineering Practice
- Exceptions: Explosive
- ATEX: Compliant 94/9/EC, level CE Ex II 2 GD c X

## Ordering guide

