



84 & 85 SERIES

7" BAG FILTER HOUSINGS

The 84 & 85 SERIES bag housings are designed for use with the industry standard DUOLINE G SERIES 7" ring style bags widely used in today's process industry. The top opening style is equipped with a Cast Vee clamp as standard with the option of Rathmann style bolted closures for pressures up to 10 bar.g.

The housing will accept the full range of industry standard bags ranging from 1 to 1000 m with nominal lengths of 16" (P1) and 32" (P2) and 48" triple length bag.

The 84 SERIES is free standing with side inlet and outlet connections. These standard diameter filter housings offer great flexibility in terms of high flow and high dirt capacity whilst requiring only a limited footprint. Use of the inverted dished end style free standing 84 SERIES housing is ideally suited to continuous process operations where economy and low volume hold up is paramount.

The 85 SERIES is infinitely flexible with adjustable legs and bottom outlet connection, making it ideal for batch applications, where free draining and frequent process changes take place.

Widely used in the chemical process world, the 85 SERIES housing, when equipped with the optional Rathmann style bolted closure, has proved to be the most popular model produced today. Distinguished by its economy, high build quality and wide ranging options list, this housing can be used in almost all areas of the liquids processing industry.



Product Features:

- Positive bag seating mechanism to minimise risk of seal bypass
- Robust bag support basket assembly fabricated from perforated sheet rather than wire mesh for extra strength
- Internally and externally electropolished as standard
- Wide range of options available for connection sizes and types and materials of construction
- Rated at 10 bar liquid, 4.5 bar gas (85 Series only)

84 & 85 SERIES FEATURES AND BENEFITS

- Integral vent to aid efficient filter changeout
- Each housing is etched with a unique serial number for full traceability
- Full housing customisation service available

84 SERIES housings feature:

- Vee clamp or bolted style closures
- Inverted dished end
- PED Compliance - Sound Engineering Practice

85 SERIES housings feature:

- Vee clamp or bolted style closures
- Conventional dished end to aid cleardown
- Each housing hydrostatically pressure tested
- PED Compliance - CE marked

Technical data

Maximum Operating Conditions

- | | | |
|------------------------|--------------------------------|--------------------------------------|
| | 84 SERIES | 85 SERIES |
| • Maximum Pressure: | Liquid - 10 Bar g
Gas - N/A | Liquid - 10 Bar g
Gas - 4.5 Bar g |
| • Maximum Temperature: | 110°C | 110°C |

Materials of Construction

- Body and Closure: 316L St.Steel
- Clamp: Cast Clamp - 304 St.Steel
Screw clamps - Zinc plated carbon steel (optional stainless steel)

Finish

- Vessel: Electropolished
- Basket: Pickled

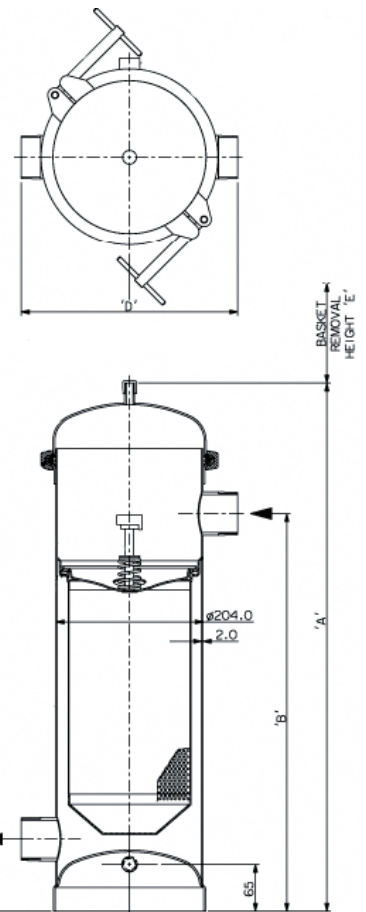
Connections

- Inlet/Outlet: 2" BSPF
- Vent: ¼" BSPF with Plug
- Drain: ½" BSPF (84 Series Only)

Model	Dimensions					Volume (liters)	Dry weight
	A	B	C	D	E		
84011UAN20A1EE	734	553	100	300	300	19.7	15.2
84012UAN20A1EE	1094	913	100	300	660	31.0	21.2
84013UAN30A1EE	1564	1353	135	320	1050	46.0	29.0

PED Status:

- | | | |
|-----------------|--|--|
| | Compliant with 97/23/EC | |
| • Fluid Groups: | 84 SERIES
Liquids Group 2 | 85 SERIES
Liquids Group 1 & 2
Gases Group 2 |
| • Marking: | Sound Engineering Practice CE | |
| • Exceptions: | Explosive Group 1 liquids - Explosive | |
| • ATEX: | Compliant 94/9/EC, level CE Ex II 2 GD c X | |



84 series drawing

Ordering guide

