



Filtertechnik

88 SERIES

MULTI POT BAG HOUSING

The **88 SERIES** multi bag housings are designed for use with the industry standard DUOLINE G Series 7" ring style bag. The top opening style is equipped with a Rathmann style bolted closure as standard for pressures up to 10 bar g.

A robust design with side in and bottom outlet connection, the 88 SERIES is ideal for high flow, high dirt volume applications, where free draining and frequent process changes will take place.

Widely used in the paint, chemical & petrochemical industries the 88 SERIES is available for 4, 6, 8 and 12 bags. With the Rathmann style bolted closure as standard and manual davit, its simple operation has proved highly successful in many applications around the world. The high build quality and wide ranging options list make these vessels suitable for all high flow bag applications.

The housing will accept the full range of Filtertechnik and industry standard bags ranging from 1 to 1000µm with nominal lengths of 16" (P1), 32" (P2) and Filtertechnik's own 48" triple length bag.

Product Features:

- Standard bolted style closure
- Conventional dished end to aid cleardown
- Bead blasted finish inside and outside
- Wide range of options available for connection sizes, types and materials of construction
- Positive bag sealing mechanism to minimise risk of seal bypass
- Robust bag support basket assembly fabricated from perforated sheet rather than wire mesh for extra strength
- Rated at 10 bar liquid
- PED and ATEX Compliant



88 Series features and benefits

- Wide range of options available for connection sizes and types and materials of construction
- Each housing is etched with a unique serial number for full traceability
- Full housing customisation service available

Technical data

Maximum Operating Conditions

- Maximum Pressure: 10 bar.g
- Maximum Temperature: 110°C

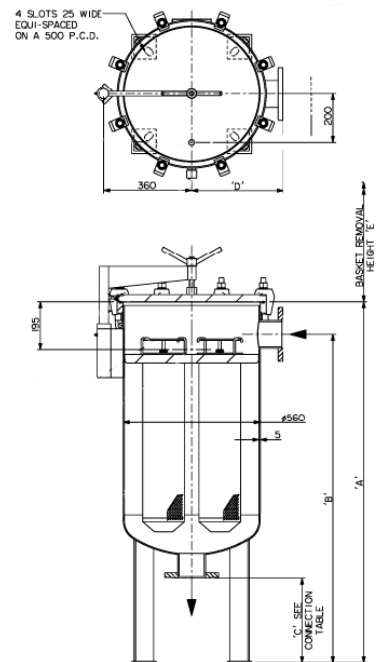
Materials of Construction

- Body and Closure: 316L St.Steel
304 St.Steel
- Vessel Finish: Bead Blast
- Basket Finish: Pickled

Connections

- Inlet/Outlet: 4" Flanged
- Vent: ½" BSPF with Plug
- Drain: 1" BSPM

Model	Flow rate (l/min)					Volume (Litres)	Dry Weight (Kg)
	A	B	C	D	E		
88041UJB40C**E	1123	990	350	375	400	238	253
88042UJB40C**E	1483	1350	350	375	750	247	286
88043UJB40C**E	1865	1730	350	375	1150	338	320



PED Status: Compliant with 97/23/EC

- Fluid group: Liquids Group 1 + 2
- Marking: CE
- Exceptions: Group 1 liquids - Oxidising or Explosive
- ATEX: Compliant 94/9/EC, level CE Ex II 2 GD c X

Ordering guide

